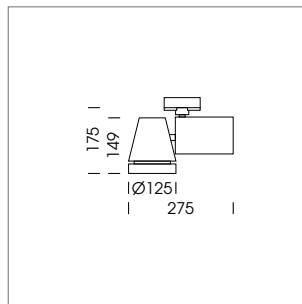


Ontero EC 127

LED BatWing

LIGHTING TECHNOLOGY

Design	Array
Light colour	2,700 . 3,000 . 4,000 K
Utilised flux	4,625 . 4,750 . 5.125 lm
System power	74 W
Reflector	BatWing
Beam angle	2 x 35°
Reflector colours	Silver



LUMINAIRE

Weight without driver unit	2.1 kg
Protection rating . Protection class	IP 20 . I
Luminaire colours	■ ■ □

Spotlight for LED arrays, active cooling, reflector with double asymmetrical light distribution pattern, 99.99% pure aluminium reflector made of MIRO-SILVER®, pivoted emitter, adjustable luminaire head, die cast aluminium luminaire housing, powdercoated, multi-adapter, driver unit, 220-240 V, 50/60 Hz

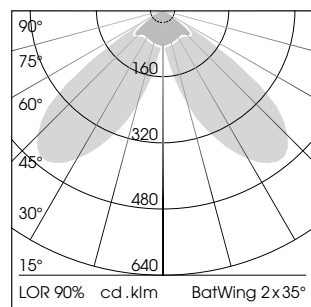
ORDER NUMBER

	■	■	□
2,700 K	2018 0007	2018 0008	2018 0009
3,000 K	2018 0001	2018 0003	2018 0005
4,000 K	2018 0002	2018 0004	2018 0006

Note: Due to further developments in the field of LED technology, the system power may be reduced within the framework of product upgrades

OPTIONAL

RAL colours
Filter holder chromed
Filter discs
Conductor rails and single connectors



product
design award
2013